

High Resolution 30X Zoom Color Camera

SDZ-300

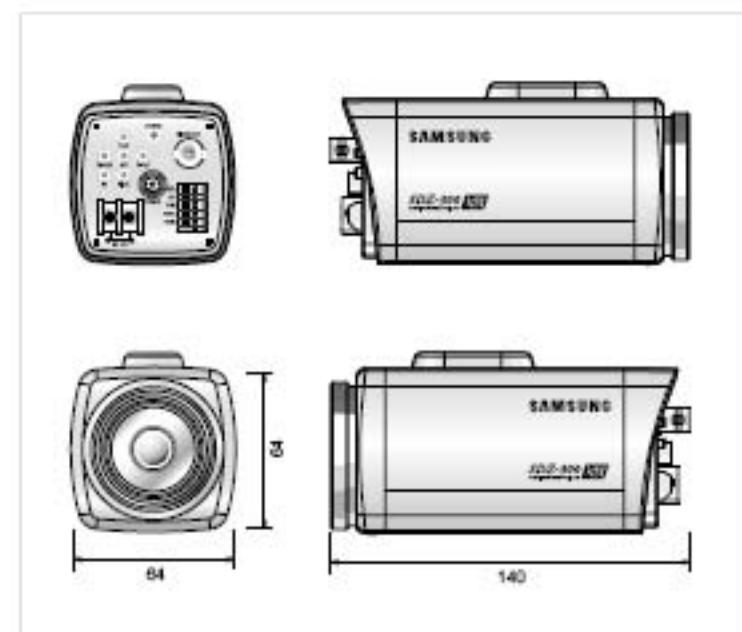


Specifications

Mode	SDZ-300ND	SDZ-300N	SDZ-300PD	SDZ-300P
Power Source	8V DC ~ 12V DC (Recommended : 9V or 12V)	24V AC (±10%) 12V DC (±10%)	8V DC ~ 12V DC (Recommended : 9V or 12V)	24V AC (±10%) 12V DC (±10%)
Power Consumption	Normal 3W Max. 5W (Zoom, Focus, Day & Night motor operating)	12V DC : Normal 4W / Max.6W 24V AC : Normal 3.5W / Max.5.5W	Normal 3W Max. 5W (Zoom, Focus, Day & Night motor operating)	12V DC : Normal 4W / Max.6W 24V AC : Normal 3.5W / Max.5.5W
Image Pick-up Device	1/4" Super HAD CCD			
Total Pixels	811(H) x 508(V)		795(H) x 596(V)	
Effective Pixels	768(H) x 494(V)		752(H) x 582(V)	
Scanning System	2 : 1 Interface			
Synchronization	Internal / Line lock selectable			
Scanning Frequency	Horizontal : 15,734KHz / Vertical : 59.94Hz		Horizontal : 15,625KHz / Vertical : 50.00Hz	
Resolution	Color : 520TV lines (Min.) / B/W : 570TV lines (Min.)			
Video Output	CVBS : 1.0Vp-p / 75Ω			
S / N Ratio (Y signal)	50dB (AGC Off, Weight On)			
Min. Illumination	0.6 Lux @ F1.6 (Normal color mode) 0.1 Lux @ F1.6 (B/W mode) 0.004 Lux @ F1.6 (Sens-up mode)			
Day & Night	Auto / Color / B/W (ICR filter change)			
Electronic Shutter Speed	Auto / Manual selectable (X128 - 1/60sec ~ 1/120,000sec) Sens-up Limit is selectable		Auto / Manual selectable (X128 - 1/50sec ~ 1/120,000sec) Sens-up Limit is selectable	
Back Light Compensation	Low / Middle / High / Off selectable			
White Balance	ATW [Indoor (3,000°K ~ 6,500°K), Outdoor (1,800°K ~ 10,500°K)] / AWC / Manual selectable			
Gain Control	Low / Middle / High / Off selectable			
OSD	Built-in			
Motion Detection	On / Off selectable (Built-in alarm output connector)			
SSNR	Low / Middle / High / Off selectable			
Iris Control	Auto / Manual selectable			
Focus	Auto / Manual / One push selectable			
Zoom Movement Speed	5.2 Sec : Wide to Tele		5.4 Sec : Wide to Tele	
Lens Initialize	Built-in			
Privacy Function	On / Off selectable (32 Zones, 8 Group / 4 Programmable zone per screen)			
Digital Zoom	On / Off selectable (Limit 10X)			
Zoom Ratio	f3.3 ~ 99.0mm (30X)			
Min. Focus Distance	1000mm			
Preset	8 Positions			
Freeze	On / Off selectable			
DIS	On / Off selectable			
Flip	Left / Right, Up / Down			
Communication	RS-485 (2,400bps, 4,800bps, 9,600bps, 19,200bps, 38,400bps, 57,600bps selectable) STW / PELCO-D Protocol available			
Control Output	External control by voltage (Zoom, Focus)			
Operating Temperature	-10°C ~ +50°C			
Operating Humidity	30% ~ 90% RH			
Dimensions	64(W) x 64(H) x 140(D)mm			
Weight	450g			

Dimensions

Unit : mm



Rear Panel



Optional Controller



www.abav.ca